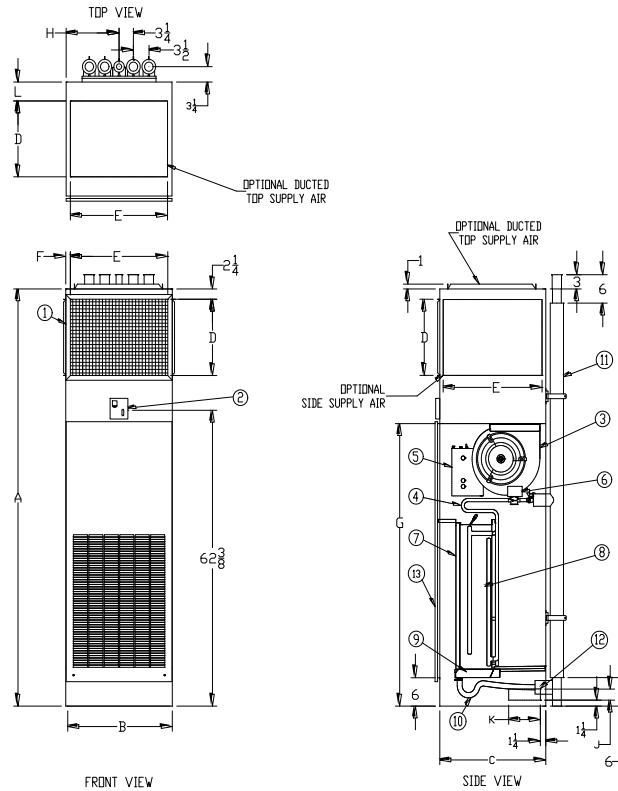


AVS

Vertical Stack Hi-Rise



Note: For units with stamped return and basic double deflection supply grilles.

| Model | Dimensions - Single Supply Option (inches) | | | | | | | | | | | | Approx. Weight (lb) |
|-------|--|----|----|----|----|---|--------|-------|-------|--------|-------|---------|---------------------|
| | A | B | C | D | E | F | G | H | J | K | L | Filter | |
| AVS03 | 88 | 17 | 17 | 8 | 15 | 1 | 56 5/8 | 8 1/2 | 3 1/4 | 7 3/8 | 3 1/2 | 13x23x1 | 230 |
| AVS04 | 88 | 17 | 17 | 10 | 15 | 1 | 56 5/8 | 8 1/2 | 3 1/4 | 7 3/8 | 3 1/2 | 13x23x1 | 240 |
| AVS06 | 88 | 20 | 20 | 10 | 18 | 1 | 56 5/8 | 10 | 3 1/4 | 8 7/8 | 4 | 16x27x1 | 270 |
| AVS08 | 88 | 20 | 20 | 12 | 18 | 1 | 56 5/8 | 10 | 3 1/4 | 8 7/8 | 4 | 16x27x1 | 280 |
| AVS10 | 88 | 24 | 24 | 12 | 22 | 1 | 59 5/8 | 12 | 2 3/8 | 10 7/8 | 5 | 20x31x1 | 310 |
| AVS12 | 88 | 24 | 24 | 16 | 22 | 1 | 59 5/8 | 12 | 2 3/8 | 10 7/8 | 4 | 20x31x1 | 320 |

1. Supply air grille (optional)
2. Unit-mounted thermostat (optional)
3. Blower / motor assembly
4. Expansion loop
5. Electrical junction box
6. Valve package (optional)
7. Filter
8. Coil assembly
9. Condensate pan
10. See-through P-Trap drain
11. Riser assembly
12. Fresh air damper opening 4" x 8" w/ duct collar (optional)
13. Stamped Return Air/Access panel (optional)

| Model | Dimensions - Dual Supply Option (inches) | | | | | | | | | | | | Approx. Weight (lb) |
|-------|--|----|----|---|----|---|--------|-------|-------|--------|-------|---------|---------------------|
| | A | B | C | D | E | F | G | H | J | K | L | Filter | |
| AVS03 | 88 | 17 | 17 | 6 | 15 | 1 | 56 5/8 | 8 1/2 | 3 1/4 | 7 3/8 | 3 1/2 | 13x23x1 | 230 |
| AVS04 | 88 | 17 | 17 | 6 | 15 | 1 | 56 5/8 | 8 1/2 | 3 1/4 | 7 3/8 | 3 1/2 | 13x23x1 | 240 |
| AVS06 | 88 | 20 | 20 | 6 | 18 | 1 | 56 5/8 | 10 | 3 1/4 | 8 7/8 | 4 | 16x27x1 | 270 |
| AVS08 | 88 | 20 | 20 | 6 | 18 | 1 | 56 5/8 | 10 | 3 1/4 | 8 7/8 | 4 | 16x27x1 | 280 |
| AVS10 | 88 | 24 | 24 | 8 | 22 | 1 | 59 5/8 | 12 | 2 3/8 | 10 7/8 | 5 | 20x31x1 | 310 |
| AVS12 | 88 | 24 | 24 | 8 | 22 | 1 | 59 5/8 | 12 | 2 3/8 | 10 7/8 | 4 | 20x31x1 | 320 |

This submittal is meant to demonstrate general dimensions of this product. The drawings are not meant to detail every aspect of the product. Drawings are not to scale. Superior Rex

reserves the right to make changes without written notice.

Accessories (Optional)

Check if provided.

Non-Standard Accessories

- | | | |
|---|---|--|
| <input type="checkbox"/> Thermostat Quick Connect | <input type="checkbox"/> Washable Filter | <input type="checkbox"/> Custom Return Grille / Access Panel |
| <input type="checkbox"/> Control Transformer & Fan Relays | <input type="checkbox"/> Fuse | <input type="checkbox"/> Type L Copper Riser |
| <input type="checkbox"/> Aquastat Changeover Switch | <input type="checkbox"/> Additional Supply Location | <input type="checkbox"/> Type K Copper Riser |
| <input type="checkbox"/> Manual Damper <input type="checkbox"/> Auto Damper | <input type="checkbox"/> Additional Supply Grille | <input type="checkbox"/> ¾" Riser Insulation |
| <input type="checkbox"/> Motor Quick Disconnect | <input type="checkbox"/> Sound and Privacy Baffle | <input type="checkbox"/> 1" Matte-Faced Cabinet Insulation |
| | <input type="checkbox"/> Special Grille Color _____ (specify) | |

Coil - 3/8" O.D. Copper Tube; 10 Fins/Inch Aluminum, Sine Wave

2-Pipe

- 2-Row 3-Row 4-Row 5-Row

4-Pipe (Cooling Rows/Heating Rows)

- 2/1-Row 3/1-Row 4/1-Row
- Chilled Water Cooling Hot Water Heating
- Glycol Cooling Glycol Heating

Motor

Motor(s) - 3 speed PSC

Standard
115V/60Hz/1ph

Optional Standard
Voltages:

Optional High Static
115V/60Hz/1ph

Optional High Static
Voltages:

| Model | HP | Total |
|-------|------|-------|
| AVS03 | 1/10 | 1.3 |
| AVS04 | 1/10 | 1.4 |
| AVS06 | 1/10 | 2.0 |
| AVS08 | 1/4 | 2.9 |
| AVS10 | 1/4 | 4.0 |
| AVS12 | 1/3 | 3.7 |

- 208V/60Hz/1ph
- 230V/60Hz/1ph
- 277V/60Hz/1ph

| Model | HP | Total |
|-------|------|-------|
| AVS03 | 1/10 | 1.6 |
| AVS04 | 1/10 | 1.6 |
| AVS06 | 1/4 | 2.9 |
| AVS08 | 1/4 | 3.5 |
| AVS10 | 1/4 | 4.3 |
| AVS12 | 1/3 | 4.0 |

- 208V/60Hz/1ph
- 230V/60Hz/1ph
- 277V/60Hz/1ph

Features:

- Automatic Reset
- Thermal Overload Protection System

Electric Heat (Single Phase)

Heater Voltage

- 115V
- 208V
- 230V
- 277V

| | | Electric Heater kW Primary or Supplementary | | | |
|------|---------|---|------------|------------|------------|
| | | 115 Volts | 208 Volts | 230 Volts | 277 Volts |
| Size | Blowers | Min-Max kW | Min-Max kW | Min-Max kW | Min-Max kW |
| 03 | 1 | 1-1.5 kW | 1-2 kW | 1-2 kW | 1-2.5 kW |
| 04 | 1 | 1-1.5 kW | 1-2 kW | 1-2 kW | 1-2.5 kW |
| 06 | 1 | 1-2.5 kW | 1-3 kW | 1-3 kW | 1-3.5 kW |
| 08 | 1 | 1-2.5 kW | 1-3 kW | 1-3 kW | 1-3.5 kW |
| 10 | 1 | 1-3 kW | 1-3 kW | 1-3.5 kW | 1-5 kW |
| 12 | 1 | 1-3 kW | 1-3 kW | 1-3.5 kW | 1-5 kW |

Condensate Pan

- Single Wall Galvanized (STD.)
- Single Wall Stainless Steel
- Double Wall with Galvanized Inner Layer
- Double Wall with Stainless Steel Inner Layer

Description: Single wall of 18 gauge Galvanized Sheet Metal with 3/8" - Inch Closed Cell Insulation.

Valves and Valve Accessories

- | | |
|--|--|
| <input type="checkbox"/> Shut - Off Valve(s) (STD.) | <input type="checkbox"/> Strainer(s) |
| <input type="checkbox"/> Shut - Off Valve w/ Memory Stop | <input type="checkbox"/> Manual Flow Control Valve(s) |
| <input type="checkbox"/> 2 - Way Motorized Valve (STD.) | <input type="checkbox"/> Automatic Flow Control Valve(s) |
| <input type="checkbox"/> 3 - Way Motorized Valve | <input type="checkbox"/> Unions |
| <input type="checkbox"/> 2 - Way Modulating Valve | <input type="checkbox"/> Pete's Plug(s) |

General Description

- This horizontal discharge, vertical stack unit is designed for concealed installations in high-rise hotels, motels, apartment buildings and nursing homes. The risers are incorporated with the unit for quick and economical installation.
- Exterior fabricated of 18 gauge galvanized steel with 1/2" matte-faced liner for maximum thermal and acoustical insulation, unpainted.
- Removable motor/blower assembly mounted on a deck which slides out for easy maintenance.
- Riser assembly for 2 or 4-Pipe system including 1/2" closed cell, flexible elastomeric thermal insulation. Risers are swaged at one end for ease of installation. Extensions can be provided for connection to unit on the next floor.
- Throwaway filter.
- Manual Air Vent.
- Aluminum double deflection white supply grille. (optional)
- Stamped Steel return air grille/access panel, white with powder polyester coated paint, oven baked. (optional)
- Transparent flexible P-Trap drain.
- System charged with air to insure a leak free arrival at the job site.
- One 2-Way motorized valve with 2 shut-off valves for 2-Pipe systems and two sets for a 4-Pipe system. (optional)
- Unit disconnect switch on internal junction box. (optional)
- Line voltage thermostat incorporating 3-speed switch. (optional)

This submittal is meant to demonstrate general dimensions of this product. The drawings are not meant to detail every aspect of the product. Drawings are not to scale. Superior Rex reserves the right to make changes without written notice.

All rights reserved. No part of this work may be reproduced or transmitted in any form or by any means, electronic or mechanical, including photocopying and recording, or by any information storage retrieval system without permission in writing from Air Distribution Technologies